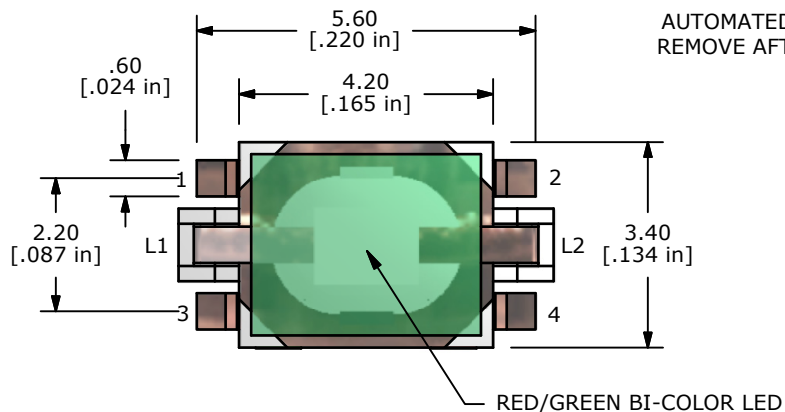


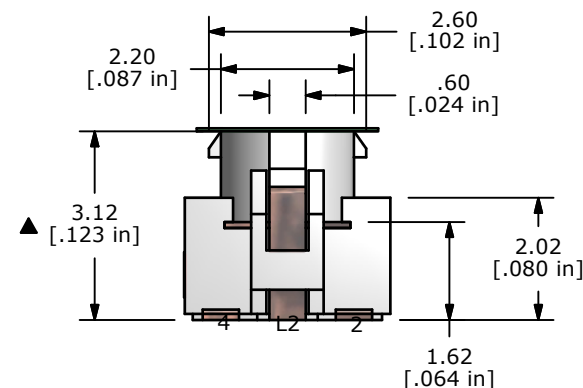
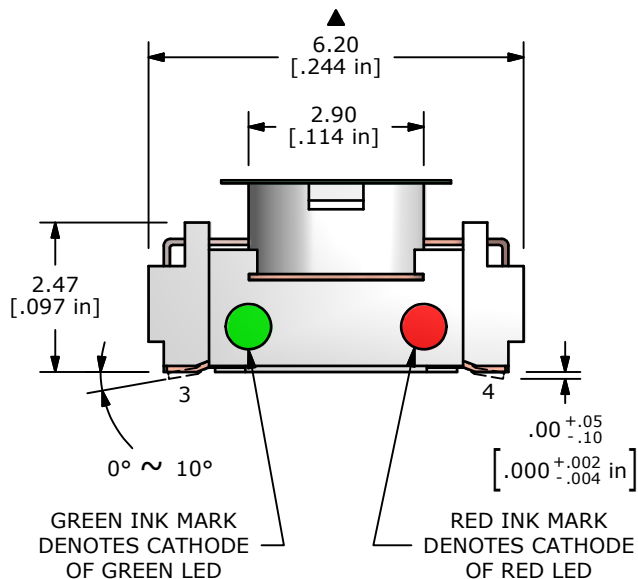
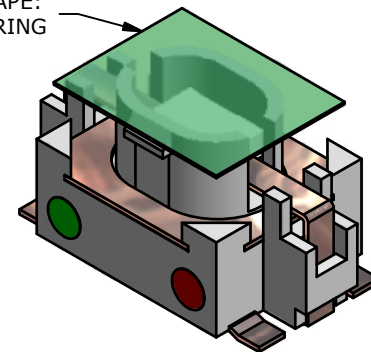
CIRCUIT: SPST

NOTES:

1. ALL DIMENSIONS IN MM [INCH]
2. GENERAL TOLERANCE: X.X±0.4
X.XX±0.25
3. RATING: 12VDC, 50mA MAX.
4. CONTACT RESISTANCE: 500mΩ MAX.
5. INSULATION RESISTANCE: 100MΩ MIN. @ 100VDC
6. TRAVEL: 0.2 ± 0.1 mm
7. DIELECTRIC STRENGTH: 250V AC FOR 1 MIN.
- ▲ 8. OPERATING FORCE: 160 ± 50gf
9. OPERATING TEMPERATURE: -20°C TO 70°C
10. OPERATING LIFE: 100,000 CYCLES.
11. PACKAGING: TAPE & REEL, 2000 PIECES PER REEL
12. ▲ DENOTES CRITICAL PARAMETER
13. 2002/95/EC (ROHS) COMPLIANT
- ▲ 14. CONTACT MATERIAL: GOLD PLATED MOVING AND STATIONARY CONTACTS.



AUTOMATED PICKUP TAPE:
REMOVE AFTER SOLDERING



LED SPECS	UNITS	RED	GREEN
FORWARD CURRENT	mA	20	20
FORWARD VOLTAGE	V	1.95 typ.- 2.5 max	2.1 Typ- 2.35 Max
LUMINOUS INTENSITY	mcd	220 typ.	55
PEAK WAVELENGTH	nm	650	574



A	21723	New Release	11/17/14	rc
REV	PCR NO	DESCRIPTION	DATE	BY

TITLE TL3210AF160XR				
SCALE	DATE	DR	DWG	REV
8:1	11/17/2014	RC	B200309	A

THE INFORMATION CONTAINED IN THIS DOCUMENT IS PROPRIETARY TO E-SWITCH AND IS NOT TO BE COPIED OR TRANSFERRED